

24" Marvel Standard Efficiency Single Zone Wine Cellar

Model # 61WCM****

- MARVEL Prime™ Controls allow you to set cabinet temperature from 40°F to 65°F
- Thermal-efficient cabinet ensures optimum wine preservation and energy efficiency while maximizing capacity
- Tinted, UV-resistant dual pane glass door protects wine from damaging ultra-violet light*
- White incandescent display lighting and midnight black interior
- Natural maple shelf fronts are stainable to match cabinetry
- Wire wine racks easily pull out to access your collection
- Close Door Assist System™ gently and automatically closes door
- Sleek stainless steel door, designer handle and adjustable black toe grill
- Height adjustment up to 1" with leveling legs
- 4" black adjustable toe kick
- Vibration Neutralization System™ protects wine from agitation
- 1-year warranty



Storage Capacity

Up to 45 bottles total

Storage Configuration

- (1) 7-bottle display wine rack
- (4) 8-bottle rollout wine racks
- (1) 6-bottle wine cradle

Product Dimensions

23⁷/₈" W x 33³/₄" minimum H x 24¹/₄" D (including handle)

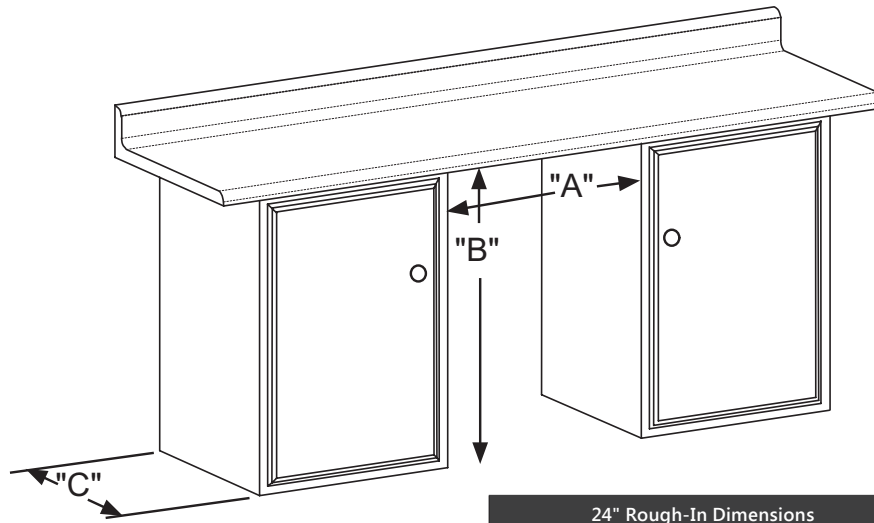
Finish/Door Options

Ordering Details

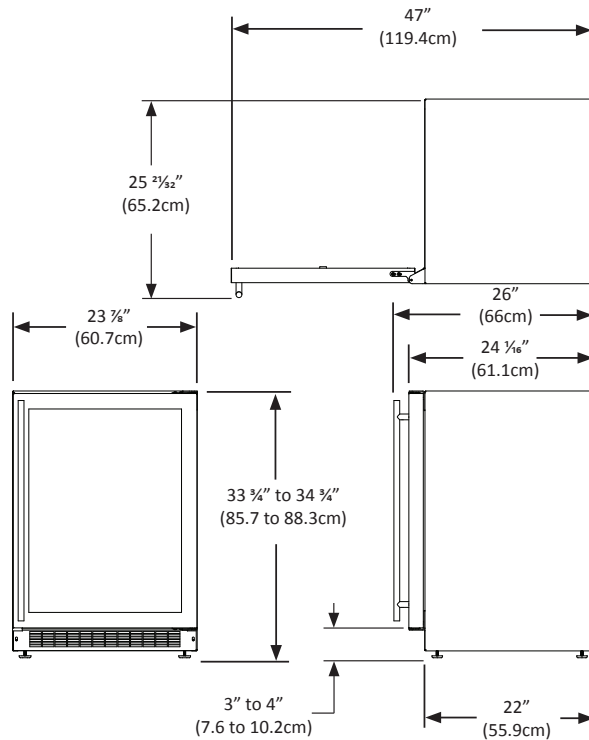
Stainless Frame Glass Door, Right Hinge	61WCM-BS-G-R
Stainless Frame Glass Door, Left Hinge	61WCM-BS-G-L



Stainless Steel



24" Rough-In Dimensions		
"A"	"B"	"C"
24" (61 cm)	34" to 35" (86.4 cm to 88.9 cm)	24" (61 cm)



Width	23 7/8"
Interior Finish	Black
Capacity	Up to 45 wine bottles
Shelving System	Side mount - tray
Shelf Fronts	Natural Maple
Other Storage	NA
Interior Lighting	1 incandescent bulb
Toe Grill Finish	Black
Hinge	Classic Hinge
Handle	Designer

Control Type	Marvel Prime™
Temperature Range	40° - 65° F
Lock	NA
Electrical Requirements	120V / 60Hz / 15A
Length of Power Cord	5'
Product Dimensions	23 7/8" W x 33 3/4" H x 22" D
Depth to Front of Door	24 1/4"
Depth to Handle	26"
Depth with door at 90°	47"
Shipping Weight	145 lbs

Finishes	SS
Vacation / Sabbath Mode	NA
Agency Approvals	CSA
ENERGY STAR Certified	NA

Finishes Key

- SS = Stainless Steel
- B = Black
- W = White
- O = Overlay