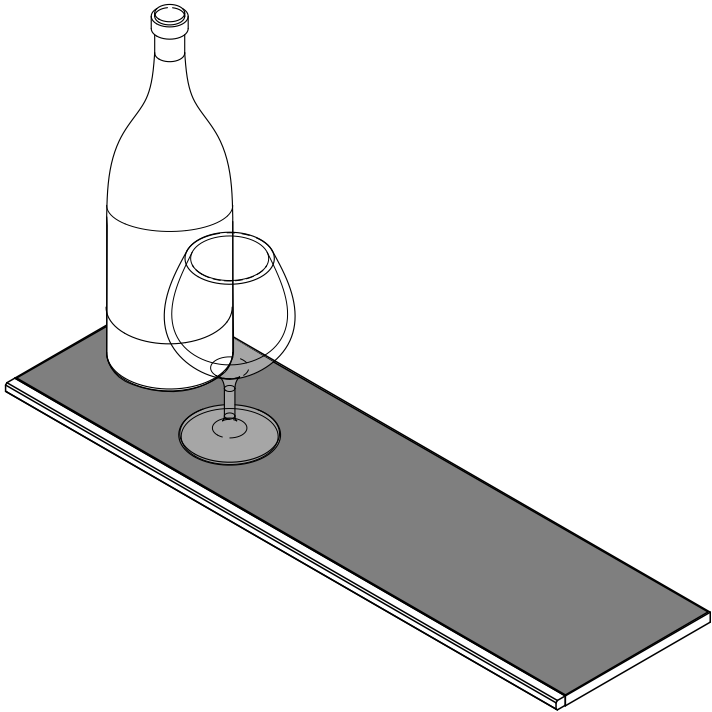




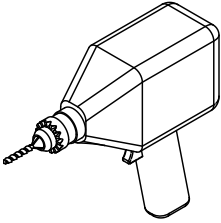
CALIFORNIA REDWOOD WINERACK

TABLE TOP

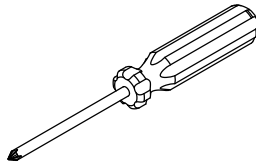


ASSEMBLY & INSTALLATION GUIDE

TOOLS AND HARDWARE



Drill



Philips Screwdriver

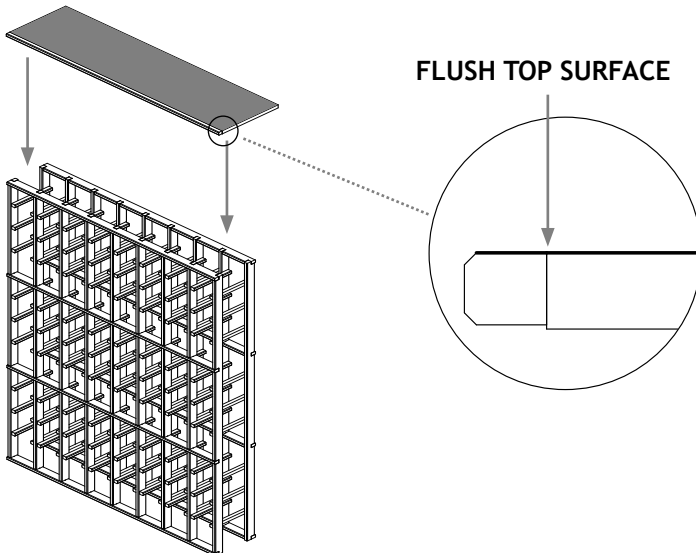


7/8" Screw x 4

STEP 1

ADDING TABLE TOP

Place the table top onto wine rack with flush surface up.



STEP 2

FASTEN TABLE TOP

Pre-drill $1/16$ " holes for screws, to prevent cracking (figure A). Fasten $7/8$ " flat head screws (figure B).

