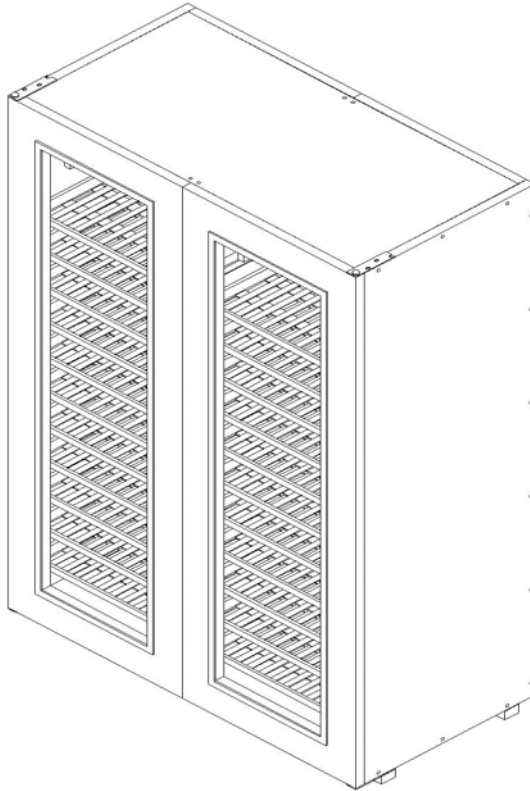




BYO DELUXE DOUBLE ASSEMBLY INSTRUCTIONS



Call 800.356.8466 or Visit our Website at
WineEnthusiast.com
333 North Bedford Rd, Mount Kisco, NY 10549

Please review all assembly instructions before building your cellar.

- This unit is not meant to be built- in order recessed into cabinetry. Provide 5" clearance for back, top and both sides of the unit.
- This unit is not meant to be located outdoors or in areas of high humidity
- Place unit in a clean area so that you can periodically vacuum the condenser coil.
- Always remove all bottles before moving your BYO.



Part and Hardware List

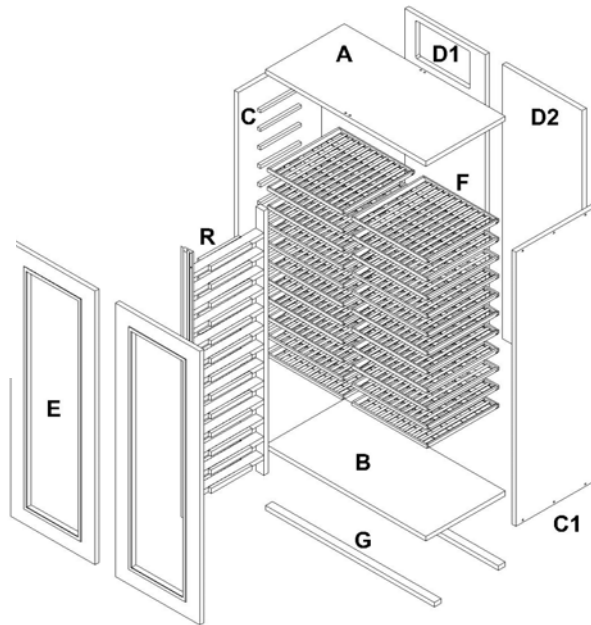
Part no	Name	Quantity	Part No.	Parts Included in Hardware Box	Quantity
A	Top Panel	1 pc	I	Short Philip head bolt (for cooling unit)	2 pcs
B	Bottom Panel	1 pc	J	Door Hinges	4 sets
C	Side Panel (left)	1 pc	K	Long Hex Bolt (for hinges)	12 pcs
C1	Side Panel (right)	1 pc	L	Extra Long Hex Bolt	44 pcs
D	Back Panel (left)	1 pc	M	Bolt Cap	52 pcs
D1	Back Panel (right)	1 pc	N	Ellen Key	1 pc
E	Doors	2 pc	O	Short Hex Bolt	8 pcs
E1	Lock Metal of Door Lock	2 sets	P	TWE tab for doors	1 pcs
F	Wooden Shelves	24 pcs	Q	Sealant	4 Pcs
G	Base Stand & Adjustable Feet	2 sets	R	Vertical Coupler Bar	1 pc
H	Screw (for G)		S	Insulating Foam	1 pc
			T	LED Lights	2 pcs

When laying out the BYO parts, Place them on a soft surface to prevent scratching.

IMPORTANT: Letter code labels on A, B, C, C1, D1 and D2 mark the EXTERIOR side of panel.

- 1) Start by laying out all pieces to make sure you received all the parts you will need to assemble your BYO 150. As a general rule of thumb apply silicone to any and all joints.

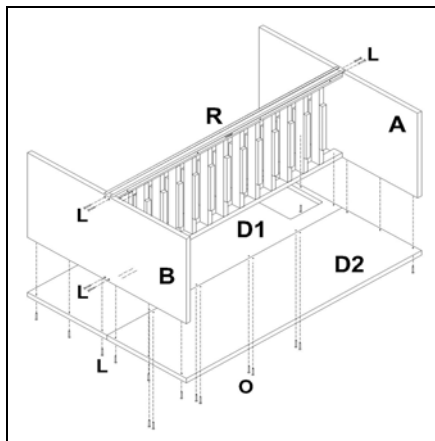
IMPORTANT:
Letter code labels on A, B, C, C1, D1 and D2 mark the EXTERIOR side of panel.



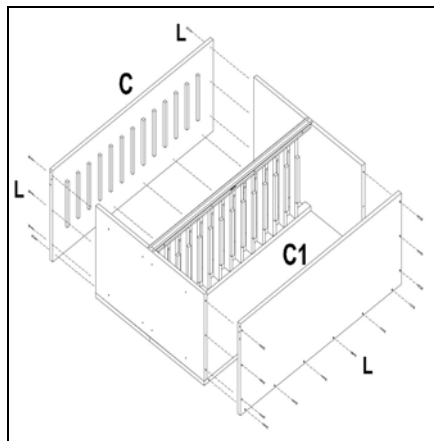


- 1) Start by putting parts D1 and D2 (back panels with the black side facing in) together (applying silicone) and anchor the two parts with part R (vertical coupler shelf). Make sure the metal lip is facing out and the holes in the shelf supports are facing up towards part A) use screws marked L.
- 2) Attach parts A and B (top and bottom with the black paper facing in) using part A as the top, make sure the metal lip is facing up as this will line up with the door gasket to seal the door.
- 3) Attach the side panels, using parts C and C1 (make sure the holes in the shelf supports are facing up towards part A. metal lip needs to face out

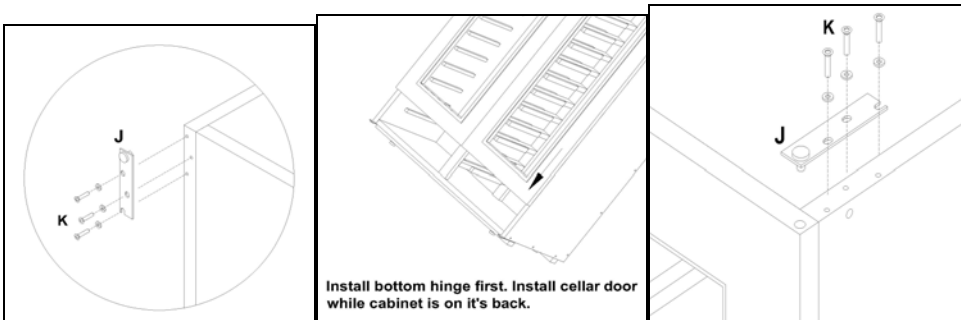
STEP 2-3



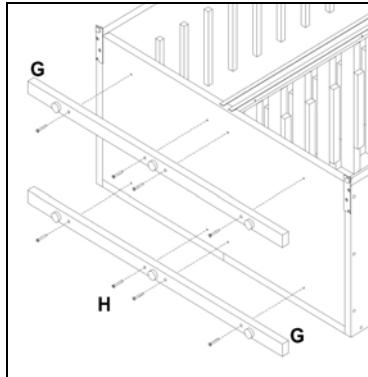
STEP 4



- 5) Place cabinet on its back and lay door on top of the unit. At this time the door gasket on the inside of the door should line up with the metal lip all around the edges of the unit. attach part J (door hinge) to the bottom using screw K. repeat process on the top hinge (part J) using screw K.

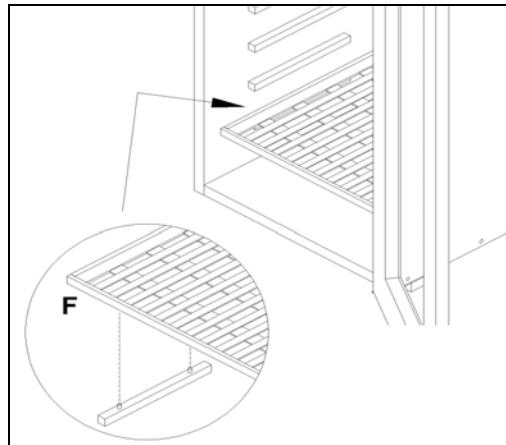


- 6) Install legs (part G) using screws (part H). Then tighten all bolts and stand cabinet upright.



Check that doors seals fit to body Panel and doors are turning smoothly.
Adjust hinges accordingly, if necessary.

- 7) Starting from the bottom insert the shelf (part F) into the cabinet and drop on to the wooden dowel to anchor it in its place.

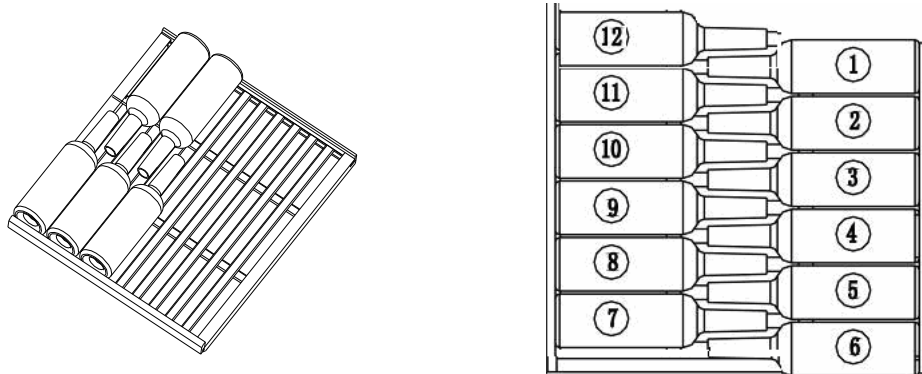


BYO Deluxe Loading Tips

- Each wooden shelf can hold 12 standard Bordeaux bottles, neck to neck. If you load the shelves with oversized bottles, you will reduce overall bottle capacity
- Maximum load- 120 pounds per shelf
- Maximum Capacity- 350 Bordeaux bottles. (Removing bottom shelf on both left and right side). **Left-** 10 shelves-120 bottles plus 36 bottles stacked 3 rows high on floor of cabinet on left. **Right-** 11 shelves- 132 bottles plus 36 on bottom. 3 rows of bottles on top shelf.

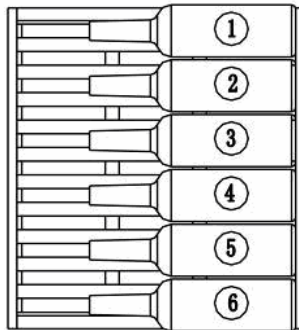
- See Figure A for diagram to show proper way to load shelves.

Figure A- CORRECT WAY TO LOAD SHELVES



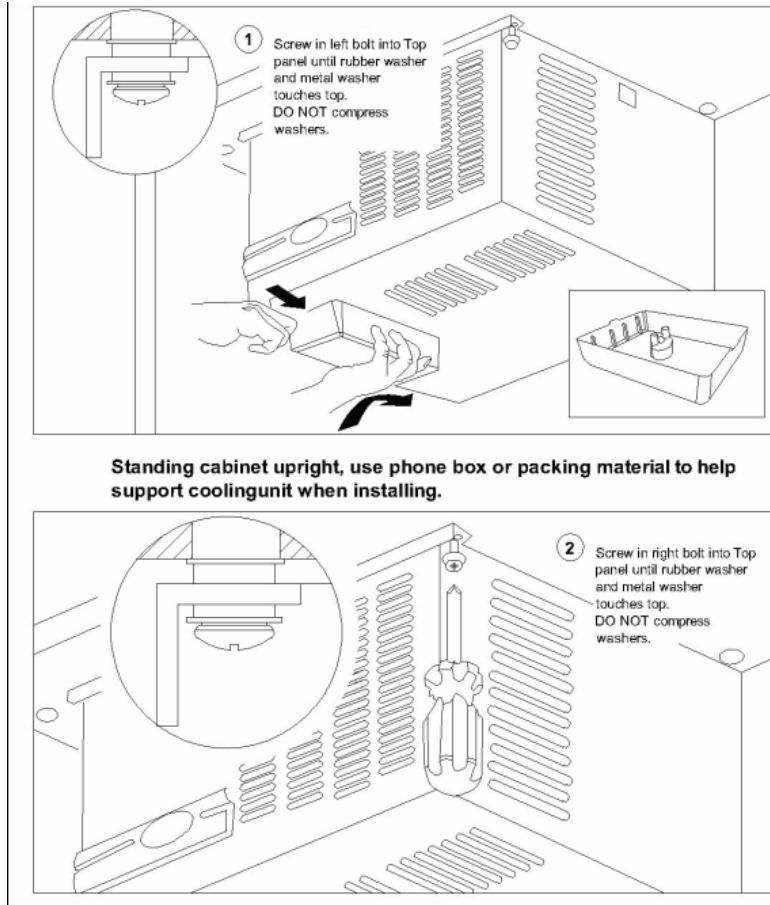
- See figure B for the incorrect way to load bottles on the wooden shelf. Never have all of the weight of the bottles only on the front or only on the back of the shelves as this may cause the shelves to tip forward or backwards.

Figure B- INCORRECT WAY TO LOAD SHELVES

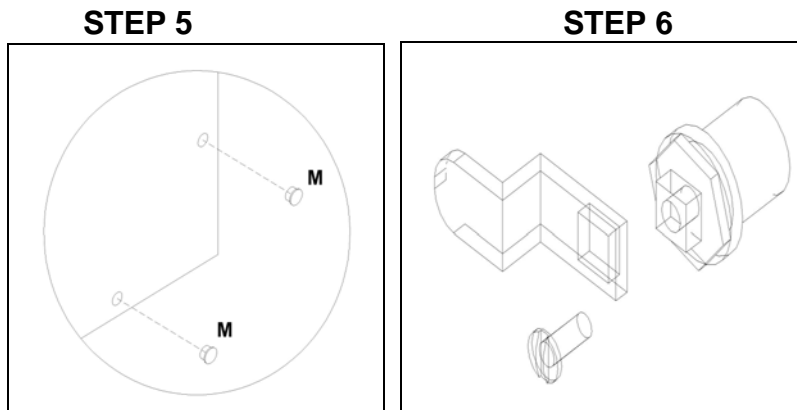


- Never stack bottles more than two rows high on a shelf. All shelves must be installed as directed.
- If you wish to keep your shelves permanently in place, affix the dowels to the shelf guides and shelves to the dowels by using a permanent carpenter's glue.
- Avoid placing bottles directly in front of the cooling unit's fan to ensure a more uniform temperature in the BYO.
- You can also load 13 standard Bordeaux bottles on the floor of the BYO, neck to neck. If you chose to remove the bottom shelf you can stack bottles three rows high which will allow more overall bottle capacity of the unit.

- 8) Attach the cooling unit (kw800) to the ceiling using part I which will be pre attached in part A. Please refer to cooling unit manual for proper usage. Take insulating foam (part S) and fit in the space between the cooling unit and outer edge of the back panel to ensure a tight fit.



- 9) Insert Bolt Caps (Part M)
- 10) Assemble lock by inserting the cylinder in to the pre-drilled hole in the door. Attach by using the locking nut and make sure to line up the latch with the lock.



- 11) Stick LED light (part T) to interior side panel after inserting the batteries.

Please speak to your Retailer before calling Wine Enthusiast if you did not purchase your Wine Cellar directly from Wine Enthusiast.

Limited warranty – 90 day replacement plan with a free 9 month upgrade, totaling 1 year, on parts and labor from the date of shipment. For customer service, please contact Wine Enthusiast by e-mail (custserv@WineEnthusiast.net) or by phone (800.648.6058).

The limited warranty does not cover: Damage due to such things as accident, misuse, abuse, mishandling, neglect, unauthorized repair or any other cause beyond the control of the seller whether similar or dissimilar to the foregoing.